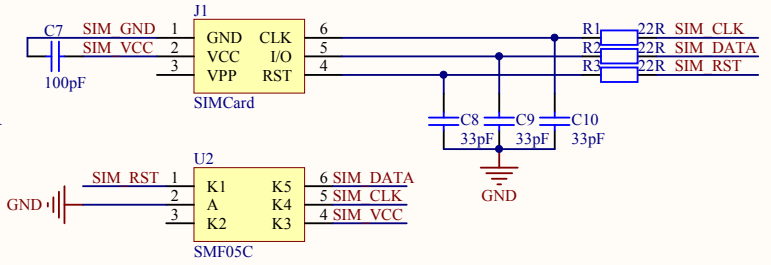
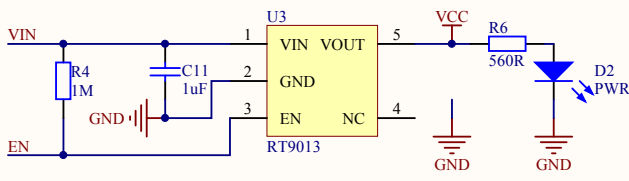
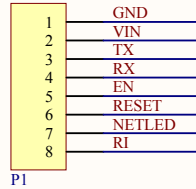
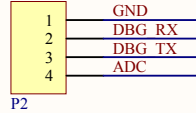
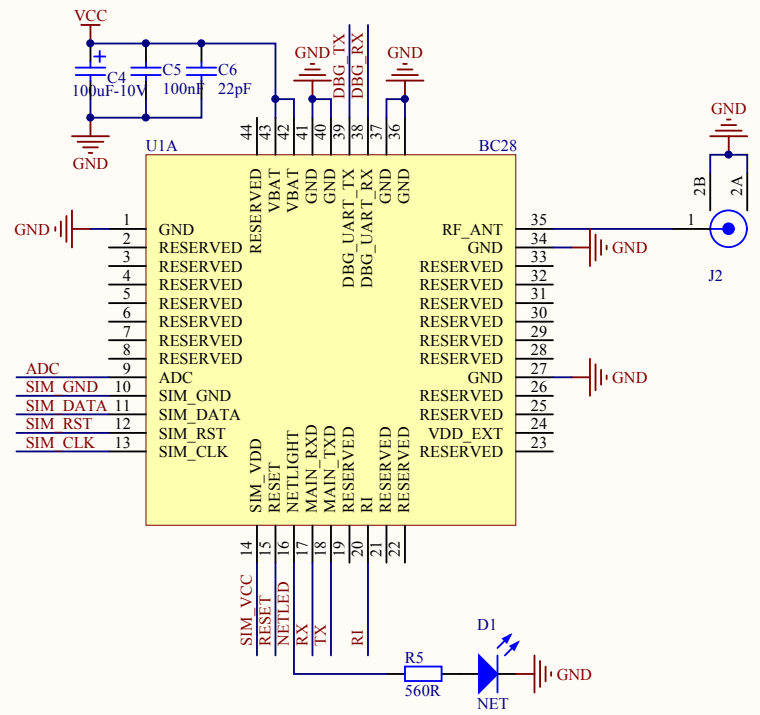


BC28



|       |                                |            |  |           |    |
|-------|--------------------------------|------------|--|-----------|----|
| Title |                                | NB100-BC95 |  | V1.0      |    |
| Size  | A4                             | Number     |  | Revision  |    |
| Date: | 2018-10-15                     |            |  | Sheet     | of |
| File: | E:\project-pcb\NB200-V1.SchDoc |            |  | Drawn By: |    |